

More than 20 years of trust in the experience and professionalism of "LAKAL" Ltd.

“ATTACK Pellet Automatic” PELLET BOILERS

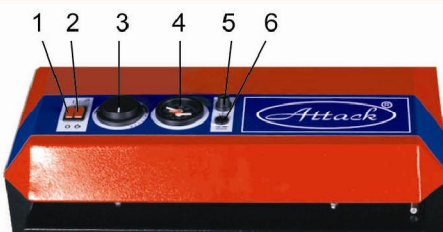
- **THE “ATTACK PELLET AUTOMATIC”** pellet boilers are designed for heating of dwelling houses and industrial premises.
- **RECOMMENDED FUEL** - wooden pellets with Ø6 - 10 mm diameter, 35 mm max. length and of 12% max. humidity.
- **THE 8-30KW OUTPUT RANGE** is regulated by a control panel, located on the upper cover of the boiler.
- **AUTOMATIC CLEANING** after every burning out or automatic ejecting every 6 hours of operation.
- **OPTIONAL** - the boiler can be equipped with an electrical heating device with 2,4 - 6kW output range, complete with its own operation and emergency thermostat .

BOILER PREFERENCES:



- Automatic ignition and fuel feeding.
- Automatic ash removing system.
- Fully automatic mode of the burner- fuel supply, electrical ignition, burning, shutting-down, burning-out, cleaning and switching to the emergency regime; option for control by a room thermostat.
- Modern compact design.
- High safety and reliability.
- Easy attendance and simple cleaning.
- Long lifetime of the boiler, guaranteed by the special combustion chamber steel plates with 4-6mm width.
- High efficient tubular exchanger with spiral turbulators to ensure better heat transfer in the exchanger and higher boiler efficiency.
- Low operation costs.
- Pellet burner with automatic operation control, automatic cleaning and its own error diagnostics.
- Option for additional heating with electrical coil, up to 6kW output and antifreeze protection.

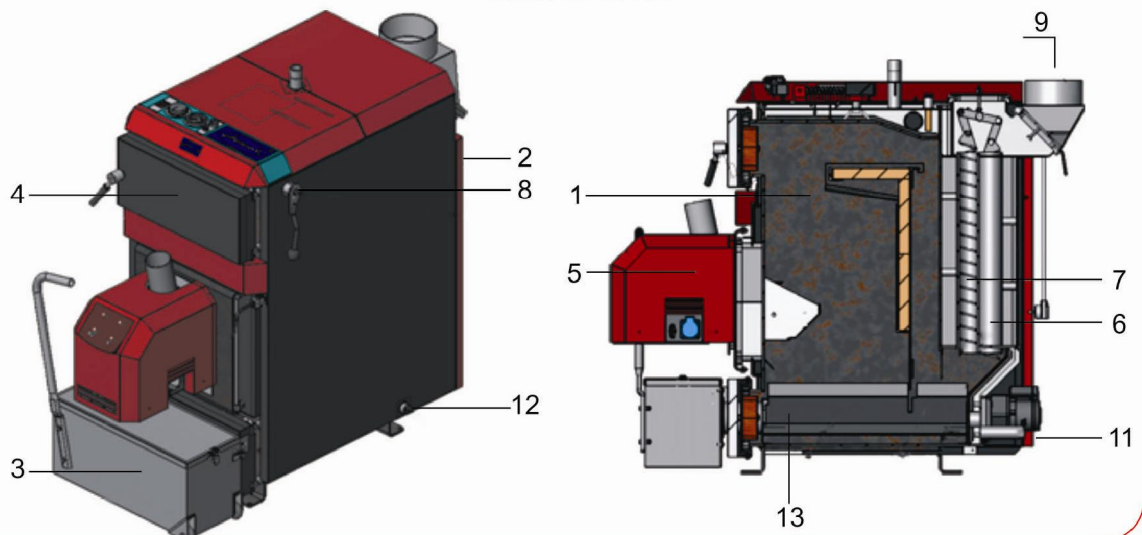
CONTROL PANEL



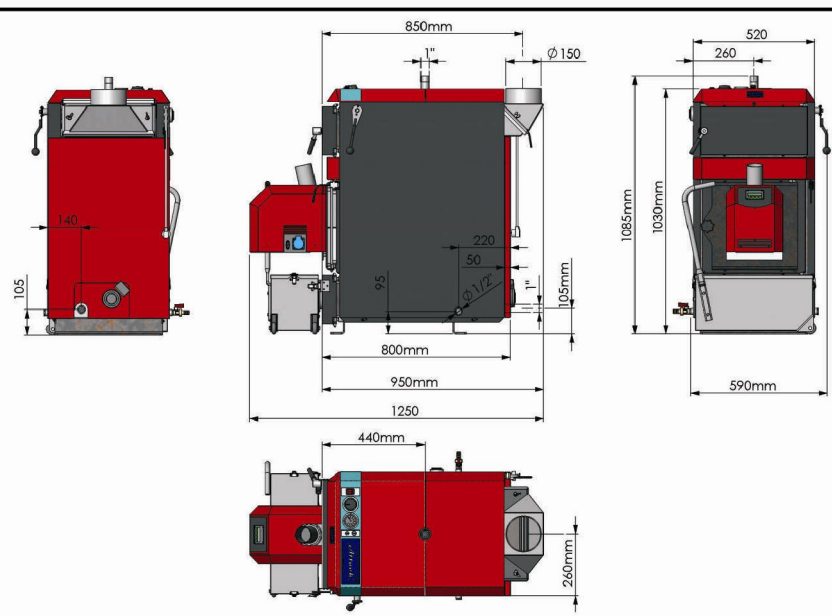
- 1 – main boiler switch
- 2 – burner switch – switches emergency and operation burner mode
- 3 – boiler thermostat – setting of operation temperature of the boiler
- 4 – thermometer
- 5 – reset button – under the cover
- 6 – fuse 10A/250V

COMPONENTS

- 1 – boiler body
- 2 – coating
- 3 – ashtray door
- 4 – door of control opening
- 5 – burner
- 6 – tubular exchanger
- 7 – turbulators
- 8 – pull rod for control of the turbulators
- 9 – flue gas collector with chimney
- 10 – flow connection
- 11 – return connection
- 12 – inlet valve
- 13 – ashtray



No	Technical data		Pellet 30
1	Nominal power	kW	30
2	Power range	kW	20-30
3	Prescribed chimney draught	Pa	15-20
4	Max. operation water overpressure	bar	3
5	Efficiency	%	90
6	Weight	kg	280
7	Average fuel consumption	kg/h	4,5 - 7
8	t° of the fumes	°C	127
9	Water volume in the boiler		60
10	Max electrical input at ignition	W	1200
11	Operating electrical input	W	90
12	Exhaust connection diameter	mm	150
13	Connection voltage	V/Hz	230/50
14	High	mm	1085
15	Width	mm	590
16	Depth without/with the burner	mm	950x1270
17	Dimension of hole for burner	mm	170x180
18	Dimension of opening for cleaning	mm	370x240
19	Electrical heater power (optional)	kW	2,4 - 6
20	Fuel- wooden pellets with diam. 6-10mm, lenght - 35mm		



CHARACTERISTICS

Boiler constructively consists of combustion chamber with partitions and tubular heat exchanger. Beyond the heat exchanger, the flue gas goes into collector with chimney, that can be horizontally or vertically oriented by turning the flange 180°C.

Boiler body is isolated with mineral wool, the design is completed with powder-treated coating. The body is designed to enable installation of for pellet or biomass burners.

The welded parts are made from special boiler steel plates of 4-6mm width, which guarantees long lifetime to the boiler.

The exchanger is tubular, with turbulators, improving heat transfer into the heating water and enabling exchanger cleaning to ensure balanced efficiency.

The boiler is equipped with worm fuel feeder (1,5m; 2,5m; 5m), ensuring continual fuel dosing. According to the dispositional solution of the building, the boiler can be supplied with fuel from external storage, up to the 5m distance from the boiler. The ATTACK Pellet boiler can be delivered with a 330l pellet container.

Built-in drawer ashtray ensures ash collecting without cleaing for 60 days, in dependence to season and boiler operation.

Fuel burning is in the stainless burner designed for combustion of the concrete fuel type. Fuel ignition is automatic, by electrical spiral built into the burner.

Optimum burning conditions and output regulation are solved per **electronically controlled fuel feeding**, following the user's set and required parameters of heating and d.h.w. warming.

The ATTACK 30 burner is intended for two kinds of fuel – wood pellets and wood chips.

Burner body, grate, tinplate of ignitor and scraper are made from high quality refractory stainless steel.

Burner's output range is: 8 -30 kW, it is possible to be set in 2kW intervals. Burner is set via buttons of the control panel, information about the operation regimes and adjusted values are indicated on the display.

Burner works under fully automatic mode from evaluation of heat supply need, fuel supply, electrical ignition, burning-up, burning, shutting-down, burning-out, cleaning and switching to the emergency regime.

Burner is cleaned automatically, after every burning out, or automatically ejects every 6 hours of operation.

"LAKAL" Ltd. is the successor of "LATS" Sole Proprietor. The company has been at the market for more than twenty years as an engineering company engaged also in production, import and installation of heating and solar installations. The company has four assembly teams all modernly equipped and working throughout Bulgaria.

Since 1999 "LAKAL" has its design and construction team developing and manufacturing solid fuel steel boilers which thermal power varies from 15, 25, 35, 50 kW, water-jacketed fireplaces from 10 to 65 kW as well as electrical boilers and electrical modules varying from 6 to 100 kW.

The company is an importer of pellet, wood-gasifying, oil and gas boilers, oil and gas burners, radiators, armature and press fittings, pipe insulation, radiant strips, gas generators, wall gas and condensing boilers.

Trust the experience and professionalism of our experts and "LAKAL" will take care of your comfort!

Stores:

PLOVDIV 4004; 136 N.Vaptsarov Blvd., +359 32 673 020
 VARNA 9000; 60A Gen. Kolev Str., +359 52 607 176
 V. TARNOVO 5000; 41 Bulgaria Str., +359 62 638 995
 SLIVEN 8800; 87 Druzhdna area +359 885 840 387
 GABROVO; +359 888 956 022
 TROYAN 5600; 39 Hristo Botev Str., +359 67 062 116

Head office:

BULGARIA, PLOVDIV 4004
 136 N. Vaptsarov Blvd.
 +359 32 673 010 tel.
 +359 32 676 006 tel.
 +359 32 672 900 fax
 e-mail: office@lakal-bg.com
 www.lakal-bg.com