

HEATING INSTALLATIONS

COMBINED SOLID FUEL AND PELLET BOILER "FL", COMPLETE WITH PELLET BURNER "MIKRO" - Italy



- ◆ High yield GG 20 (EN-GJL-200) cast iron solid fuel boiler, fit for wood or coke combustion.
- ◆ Heating body made of nipped cast iron sections, insulated with a rockwool layer.
- ◆ Class 3 efficiency according to EN 303-5.
- ◆ High efficiency, thanks to large exchange surface of cast iron sections.
- ◆ The combustion chamber is type, "water – jacket", which assures longer duration of the burning process and higher efficiency of the boiler.
- ◆ The switching from solid fuel to pellets and the other way around is easy and it could be made without removing the pellet burner, trough opening of one of the doors of the boiler.

COMPLETE WITH:

- ◆ Built in week programmer,
- ◆ Pellet feeder,
- ◆ Two doors (for solid fuel and pellets),
- ◆ Mechanical air thermostat and air vent installed on the chimney.



OPTIONAL - SAFETY VALVE AND COIL

The installation of this device is compulsory according to EN 303-5 directive. It consists in a safety valve and a coil. The latter is an exchanger, adequately sized for each model size, to be immersed in boiler's heating water, through a proper niche. The relief valve detects the boiler's temperature through a probe with double sensor. In case boiler's temperature reaches 95°C, the valve releases the excess heat, exchanged in the safety coil.

FUEL CONVERSION:



PELLET

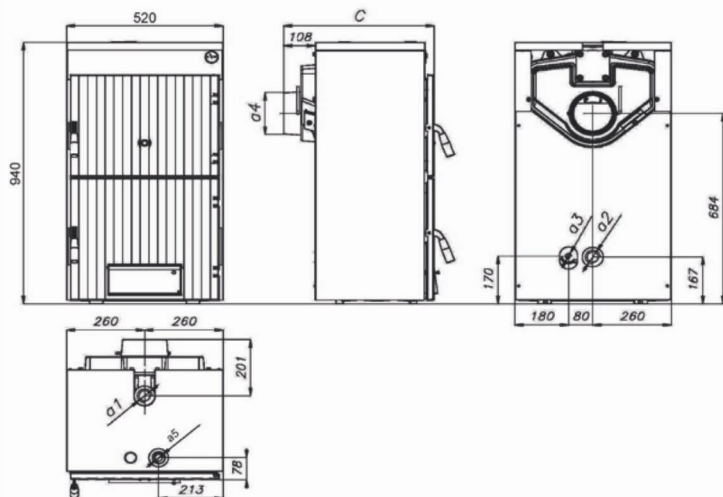


FUEL CONVERSION



SOLID FUEL

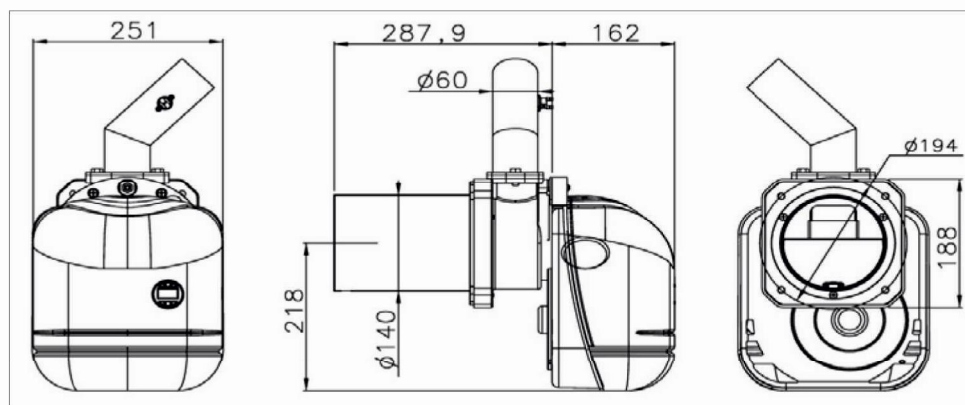
TECHNICAL DATA FOR „FL“ BOILER



Boiler type	FL 3	FL 4	FL 5	FL 6	FL 7
Nominal power	kW 19-22,5	27-32,5	36-42,5	43-52,5	50-62,5
Pellet burner type	Mikro P7	Mikro P7	Mikro P12	Mikro P12	Mikro P12
Weight	kg 193	241	289	337	385
Combustion chamber vol	dm ³ 48	68	88	108	128
Inlet/outlet water	Ø 1 1/4"	1 1/2"	1 1/2"	2"	2"
Working pressure	bar 3	3	3	3	3
Door dimensions	mm 384x210	384x210	384x210	384x210	384x210
Flue	mm 150	150	150	180	180
Width	mm 423	533	643	753	863
Water capacity	mm 26	30	34	38	42

TECHNICAL DATA FOR „MIKRO P7“ AND „P12“ PELLET BURNERS

MIKRO P7 and **P12** are pellet burners that are created with the idea to be suitable for wide range of boilers in the domestic sector. They are developed with light and compact construction, high efficiency, low levels of CO and NOx emissions, environmental orientated – balanced flame and steady way of burning.



The burners are complete with a weekly programmer and regulator of the power in five stages.

The comfort of exploitation is guaranteed by:

- Automatic ignition and feeding of the pellets:
- Exact regulating of the set temperature
- Lack of thermal energy lost trough switching off
- Feeling the pellet tank with pellets ones or twice per week regarding the capacity of the tank.
- Possibility of frequent supplies of small quantities of fuel, without the need of a special room for it.

		P7	P12
Power min-max	kW	14 - 34	30-55
Fuel consumption min-max	kg/h	2,9-7,2	6,3-11,6
Power supply	V/Hz	220/50	220/50
Power consumption/ignition	W	100/300	100/300
Weight	kg	11	13,5
Pellet dimension	Ømm/mm	6/35	6/35

„LAKAL“ Ltd delivers, installs, starts-on and provides full service of the pellet products.

“LAKAL” Ltd. is the successor of “LATS” Sole Proprietor. The company has been at the market for more than twenty years as an engineering company engaged also in production, import and installation of heating and solar installations. The company has four assembly teams all modernly equipped and working throughout Bulgaria.

Since 1999 “LAKAL” has its design and construction team developing and manufacturing solid fuel steel boilers which thermal power varies from 15, 25, 35, 50 kW, water-jacketed fireplaces from 10 to 65 kW as well as electrical boilers and electrical modules varying from 6 to 100 kW.

The company is an importer of pellet, wood-gasifying, oil and gas boilers, oil and gas burners, radiators, armature and press fittings, pipe insulation, radiant strips, gas generators, wall gas and condensing boilers.

Trust the experience and professionalism of our experts and “LAKAL” will take care of your comfort!

Stores:

PLOVDIV 4004; 136 N.Vaptsarov Blvd., +359 32 673 020
 VARNA 9000; 60A Gen. Kolev Str., +359 52 607 176
 V. TARNOVO 5000; 41 Bulgaria Str., +359 62 638 995
 SLIVEN 8800; 87 Druzha area +359 885 840 387
 GABROVO; +359 888 956 022
 TROYAN 5600; 39 Hristo Botev Str., +359 67 062 116

Head office:

BULGARIA, PLOVDIV 4004
 136 N. Vaptsarov Blvd.
 +359 32 673 010 tel.
 +359 32 676 006 tel.
 +359 32 672 900 fax
 e-mail: office@lakal-bg.com
 www.lakal-bg.com